

Demolding after reaching 70% from concrete strenght.

Tolerance class:	A	Surface treatment:		Surface quality:		Cnom =		Chamfer size:		REI:	
------------------	---	--------------------	--	------------------	--	--------	--	---------------	--	------	--

CONCRETE / REINFORCEMENT SPECIFICATION:

Element:	Quantity:	Concrete class:	w/c ratio:	Concrete volume (m³):	Weight (kg):
FOUNDATION	1	C30/37 XC4 XF-1	0.12	300.0	

Embed:	Quantity:	Material:	Lenght (mm):	Weight (kg):	Total weight (kg):
HILTI HST 3	4		145	0.00	0.00

Embed total weight (kg): 178.96

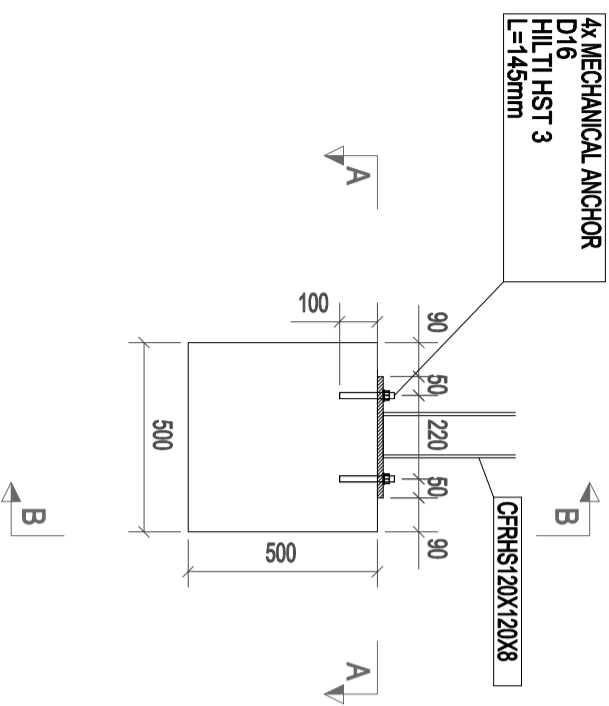
Reinforcement:														
Type:	Pos:	Quant:	Grade:	L	a	b	c	d	e	u	v	D	kg/1:	kg/total:
A	34	8	B500B	16	760	765							1.2	9.7
Y	35	6	B500B	8	1690	141	390	390	390	90	90	32	0.7	4.0
												141		

Reinforcement total weight (kg): 13.7

REINFORCEMENT TOTAL (kg): 13.7 ELEMENT TOTAL WEIGHT (kg): 492.6

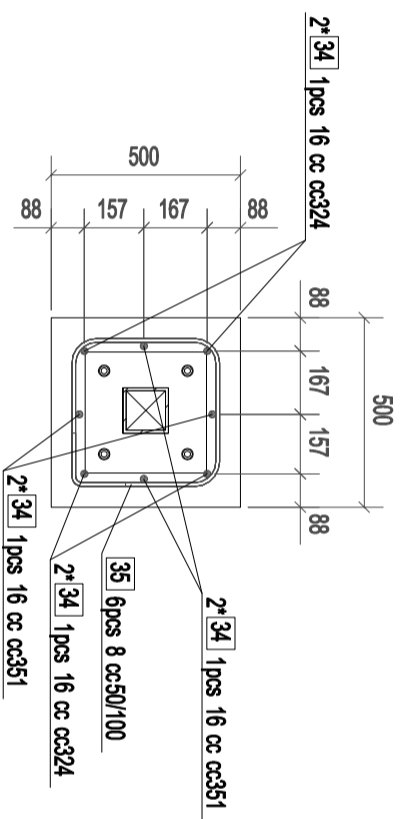
FOUNDATION BLOCK

1:20



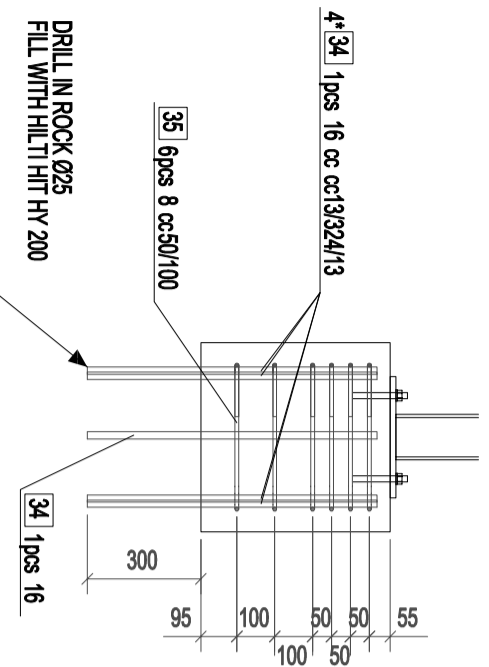
A - A

1:20



B - B

1:20



+46 (0) 70 435 87 57
 info@skandlink.se
 Kungu iela 51, Liepāja,
 Latvia LV-3401



KUND: Erik Hedenstedt
OBJEKT: Trosa Tureholm 2:415

TECKNING:

FOUNDATION BLOCK

SKALA: 1:20 **REV.:**

RITAD: G.LORMANIS **DATUM:** 22.04.2022

DEL AV PROJEKTET:

RITNINGNUMMER: BK-03